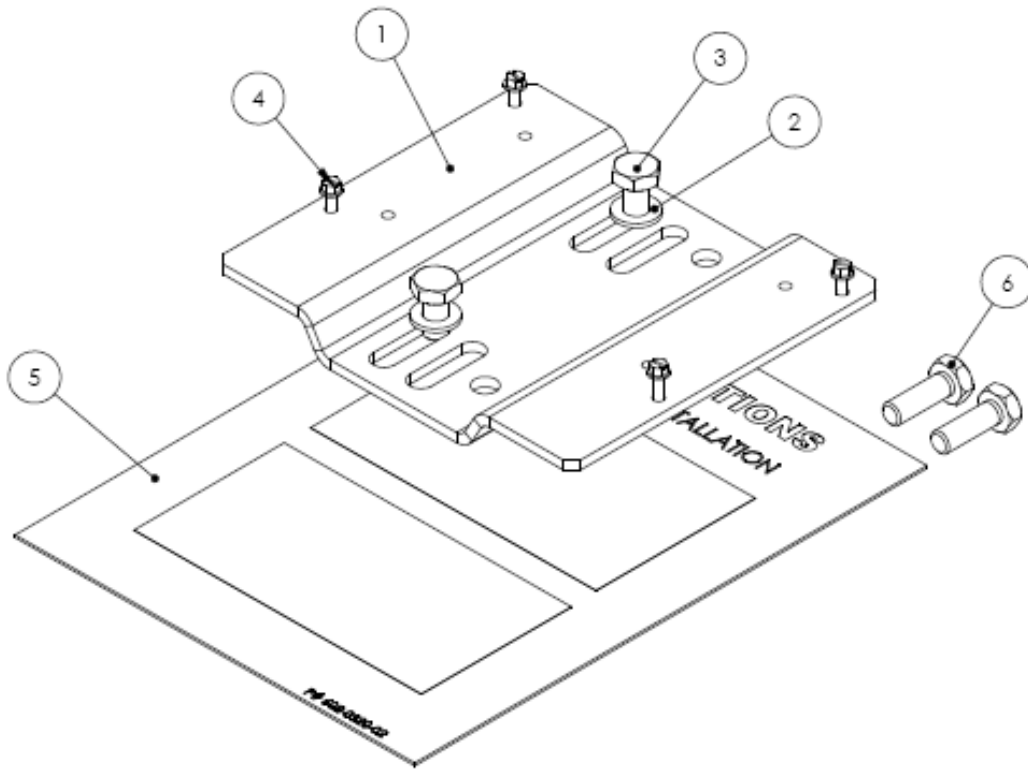


ECU Mounting Bracket



Item	Component	Part Number	Qty
1.	Bracket, JD Cab Post	202-0476-07	1
2.	Washer, M10 Flat Steel Zinc Plated	517-0001-01	2
3.	Bolt, M10 x 1.5 x 20mm Hex Zinc Plated	513-0019-01	2
4.	Screw 8-32 x 1/2"	514-0151-01	4
5.	Instruction Guide	602-0320-02	1
6.	Bolt, M10 x 1.5 x 30mm Hex Zinc Plated	513-0058-01	2

Overview

These instructions provide the procedure for installing the ECU Mounting Bracket on qualified vehicles. The ECU Mounting Bracket can be used to mount various ECU devices such as the GeoSteer Control Unit (GCU) or ECU4. In some cases other ECU devices can also be mounted using this bracket kit.

Note: Always refer to your AutoSteer system documentation to ensure this ECU Mounting Kit meets the mounting requirements (ex. orientation, ECU device).

This bracket is designed to be installed using two threaded mounting holes on the front, right cab post. The bracket can be mounted on other mount points in the cab if that is preferred. This bracket can be used in custom installations to mount to any flat surface. Additional holes can be drilled into the bracket to fit these custom installations if necessary.

Supported Vehicles

This ECU Mounting Bracket has been confirmed to fit the following vehicle models:

Supported Make, Type, Models, and Year Model was First Released	Page
• John Deere Articulated 9230, 9330, 9430, 9530, and 9630 (2007 -)	3
• John Deere Articulated 9360R, 9410R, 9460R, 9510R, and 9560R	5
• John Deere MFWD 7200, 7400, 7600, 7700, and 7800 (1992 -)	7
• John Deere MFWD 7200R, 7215R, 7260R, and 7280R (2011 -)	5
• John Deere MFWD 7210, 7410, 7510, 7610, 7710, and 7810 (1997 -)	7
• John Deere MFWD 7630, 7730, 7830, and 7930 (2007 -)	3
• John Deere MFWD 7720, 7820, and 7920 (2004 -)	3
• John Deere MFWD 8100, 8200, 8300, and 8400 (1995 -)	3
• John Deere MFWD 8110, 8210, 8310, and 8410 (2000 -)	3
• John Deere MFWD 8120, 8220, 8320, 8420, and 8520 (2003 -)	3
• John Deere MFWD 8130, 8230, 8330, 8430, and 8530 (2007 -)	3
• John Deere MFWD 8225R, 8245R, 8270R, 8295R, 8320R, and 8345R (2010 -)	5
• John Deere MFWD 8235R, 8260R, 8285R, 8310R, 8335R, and 8360R (2011 -)	5
• John Deere MFWD 9360R, 9410R, 9460R, 9510R, 9560R and (2012 -)	5
• John Deere Sprayer 4630, 4730, 4830, and 4930 (2008 -)	8
• John Deere Sprayer 4700 (1998 -)	8
• John Deere Sprayer 4710 (2001 -)	8
• John Deere Sprayer 4720 and 4920 (2005 -)	8
• John Deere Sprayer 4940 (2011 -)	8
• John Deere Track 8100T, 8200T, 8300T, and 8400T (1998 -)	3
• John Deere Track 8110T, 8210T, 8310T, and 8410T (2001 -)	3
• John Deere Track 8120T, 8220T, 8320T, 8420T, and 8520T (2003 -)	3
• John Deere Track 8230T, 8330T, and 8430T (2007 -)	3
• John Deere Track 8295RT, 8320RT, and 8345RT (2010 -)	5
• John Deere Track 8310RT, 8335RT, and 8360RT (2011 -)	5
• John Deere Track 9430T, 9530T, and 9630T (2008 -)	3
• John Deere Track 9460RT, 9510RT, and 9560RT (2012 -)	5

-
- John Deere MFWD 7720, 7820, and 7920 (2004 -)
 - John Deere MFWD 7630, 7730, 7830, and 7930 (2007 -)
 - John Deere MFWD 8100, 8200, 8300, and 8400 (1995 -)
 - John Deere MFWD 8110, 8210, 8310, and 8410 (2000 -)
 - John Deere MFWD 8120, 8220, 8320, 8420, and 8520 (2003 -)
 - John Deere MFWD 8130, 8230, 8330, 8430, and 8530 (2007 -)
 - John Deere Track 8100T, 8200T, 8300T, and 8400T (1998 -)
 - John Deere Track 8110T, 8210T, 8310T, and 8410T (2001 -)
 - John Deere Track 8120T, 8220T, 8320T, 8420T, and 8520T (2003 -)
 - John Deere Track 8230T, 8330T, and 8430T (2007 -)
 - John Deere Articulated 9230, 9330, 9430, 9530, and 9630 (2007 -)
 - John Deere Track 9430T, 9530T, and 9630T (2008 -)
-

1. Locate the two threaded mounting holes on the front, right cab post.

Note: If necessary remove the existing factory provided Mounting Bracket with a 16mm socket and ratchet.



2. Attach the ECU Mounting Plate to the post with two M10 x 20mm bolts and M10 flat washers. Tighten with a 17mm socket and ratchet.



-
3. Attach the ECU device to the mounting bracket with four 8-32 x 1/2" Hex Screws using a 1/4" nut driver. Do not over tighten

Note: The connectors should point to the floor of the vehicle.

-
4. Attach the required cables and harness to the ECU device to complete this portion of the installation.

Note: GeoSteer Control Unit showed installed for reference.



Note: This mounting point is where the Display is normally attached. To attach a Display at this position, the factory John Deere Display mounting bracket can be ordered from John Deere and attached to the back of the ECU Bracket before it is attached. It may require some modifications to work properly.

A custom bracket can also be mounted the same way.

The longer M10 x 30mm bolts are provided to allow this type of mounting.



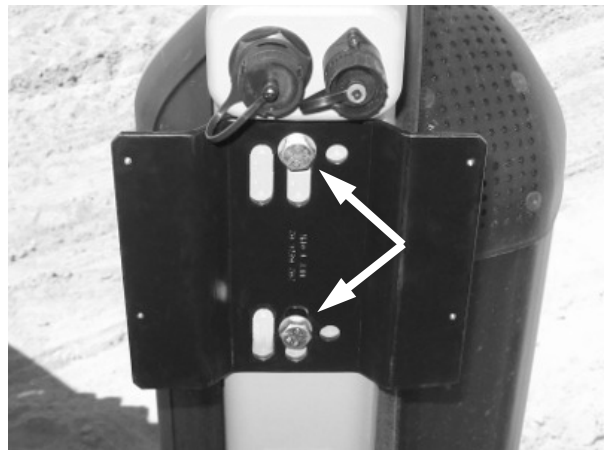
-
- John Deere MFWD 7200R, 7215R, 7260R, and 7280R (2011 -)
 - John Deere MFWD 8225R, 8245R, 8270R, 8295R, 8320R, and 8345R (2010 -)
 - John Deere MFWD 8235R, 8260R, 8285R, 8310R, 8335R, and 8360R (2011 -)
 - John Deere MFWD 9360R, 9410R, 9460R, 9510R, 9560R and (2012 -)
 - John Deere Track 8295RT, 8320RT, and 8345RT (2010 -)
 - John Deere Track 8310RT, 8335RT, and 8360RT (2011 -)
 - John Deere Articulated 9360R, 9410R, 9460R, 9510R, and 9560R
 - John Deere Track 9460RT, 9510RT, and 9560RT (2012 -)
-

1. Locate the two threaded mounting holes on the front, right cab post.

Note: If necessary remove the existing factory provided Mounting Bracket with a 16mm socket and ratchet.



2. Attach the ECU Mounting Plate to the post with two M10 x 20mm bolts and M10 flat washers. Tighten with a 17mm socket and ratchet.



-
3. Attach the ECU device to the mounting bracket with four 8-32 x 1/2" Hex Screws using a 1/4" nut driver. Do not over tighten.

Note: The connectors should point to the floor of the vehicle.

-
4. Attach the required cables and harness to the ECU device to complete this portion of the installation.

Note: GeoSteer Control Unit showed installed for reference.

Note: A custom bracket will have to be designed to mount the Display.



Note: This mounting point is where the Display is normally attached. A custom Display bracket can be mounted behind the ECU Mounting plate to the same bolts.

The longer M10 x 30mm bolts are provided to allow this type of mounting.

John Deere MFWD 7200, 7400, 7600, 7700, and 7800 (1992 -)

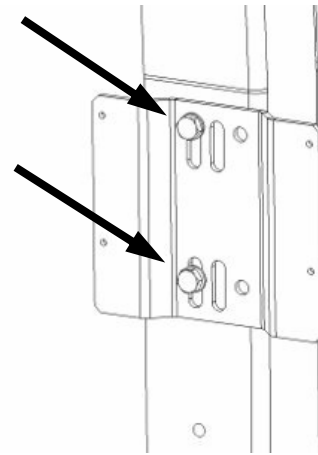
- **John Deere MFWD 7210, 7410, 7510, 7610, 7710, and 7810 (1997 -)**
-

5. Locate the two threaded mounting holes on the front, right cab post.

Note: If necessary remove the existing Mounting Bracket or hole plugs.



6. Attach the ECU Mounting Plate to the post with two M10 x 20mm bolts and M10 flat washers. Tighten with a 17mm socket and ratchet.



7. Attach the ECU device to the mounting bracket with four 8-32 x 1/2" Hex Screws using a 1/4" nut driver. Do not over tighten

Note: The connectors should point to the floor of the vehicle.

8. Attach the required cables and harness to the ECU device to complete this portion of the installation.

Note: GeoSteer Control Unit showed installed for reference.

Note: A custom bracket will have to be designed to mount the Display.



-
- John Deere Sprayer 4700 (1998 -)
 - John Deere Sprayer 4710 (2001 -)
 - John Deere Sprayer 4720 and 4920 (2005 -)
 - John Deere Sprayer 4630, 4730, 4830, and 4930 (2008 -)
 - John Deere Sprayer 4940 (2011 -)
-

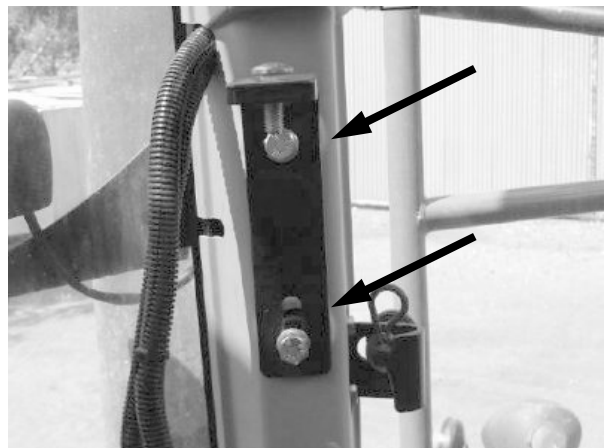
1. Locate the two threaded mounting holes on the front, right cab post where the sprayer control is mounted.



2. Remove the existing display by removing the wing nut.



3. Remove the two bolts holding the existing factory provided sprayer control mounting bracket with a 16mm socket and ratchet



-
4. Place the original factory supplied sprayer control mounting bracket behind the ECU Mounting Plate.
 5. Attach the ECU Mounting Plate to the post with two M10 x 30mm bolts and M10 flat washers. Tighten with a 17mm socket and ratchet.



-
6. Attach the ECU device to the mounting bracket with four 8-32 x 1/2" Hex Screws using a 1/4" nut driver. Do not over tighten

Note: The connectors should point to the floor of the vehicle.

-
7. Attach the required cables and harness to the ECU device to complete this portion of the installation.

Note: GeoSteer Control Unit showed installed for reference.

Note: A custom bracket will have to be designed to mount the Display.

